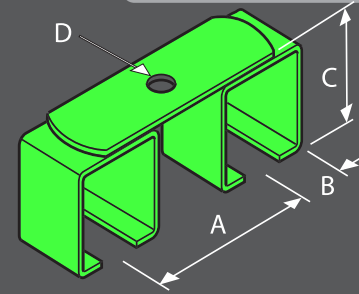


OFFSET BRACKET

CODE	KG RATING	OFFSET	A	B	C	D	E	F	G	H
DT120-1A	120	25	65	110	60	8	8X18	30	59	28
DT200-1B	200	35	70	125	71	10.5	10.5	32	82	30

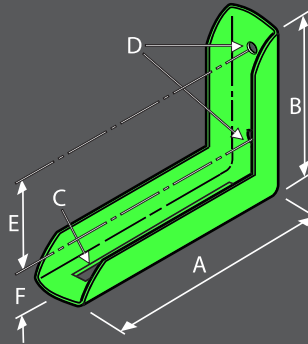
Fits in pan of cladding.

OVERHEAD DOUBLE BRACKET



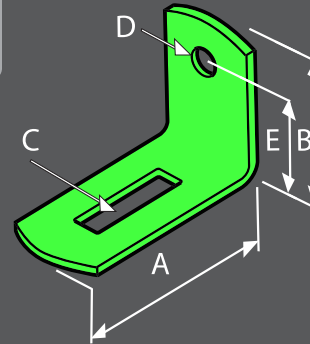
CODE	KG RATING	A	B	C	D
DT200-6B	200	76	22	61	10.5

DOUBLE ANGLE BRACKET

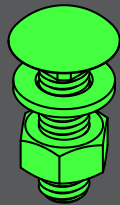


CODE	KG RATING	A	B	C	D	E	F
DT120-5A	120	114	76	86X8	11.5	41	26
DT450/5A	450	210	120	158X14	11	60	42

ANGLE BRACKET



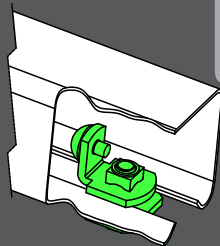
CODE	KG RATING	A	B	C	D	E
DT450/SAB	450	100	75	14X50	13.5	54



NUTS & BOLTS

CODE	KG RATING
DT120BS	120
DT200BS	200
DT450/BS	450 & 800

Domed bolts for mounting brackets onto track. Includes washer.



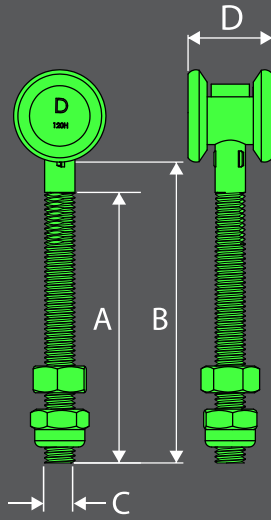
WHEEL STOP

CODE	KG RATING
DT120-200TS	120 & 200
DT450TS	450 & 800

Adjustable stop with rubber bumper.

BRACKET SPACING GUIDE

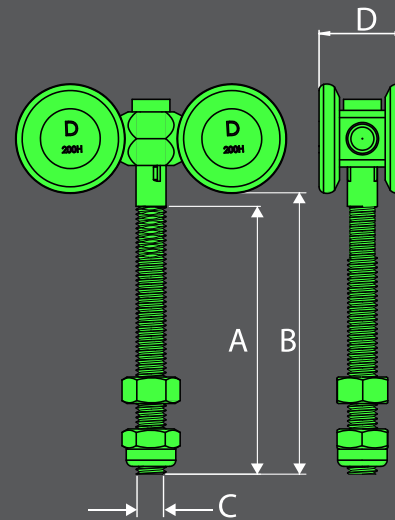
HARDWARE	DOOR WEIGHT						
120	120 kg	100 kg	80 kg	70 kg	60 kg	50 kg	<50 kg
200	200 kg	160 kg	130 kg	100 kg	85 kg	80 kg	<80 kg
450	450 kg	400 kg	320 kg	260 kg	220 kg	170 kg	<170 kg
800	800 kg	600 kg	420 kg	330 kg	260 kg	210 kg	<210 kg
BRACKET SPACING	600mm	700mm	800mm	900mm	1000mm	1100mm	1200mm



2 WHEEL HANGER

CODE	KG RATING	WHEEL	A	B	C	D
DT120HS2	80	STEEL	85	92	3/8"	27
DT120HN2	80	NYLON	85	92	3/8"	27
DT200HS2	120	STEEL	85	90	M10	29
DT200HN2	120	NYLON	85	90	M10	29
DT450HS2	250	STEEL	120	125	M12	42
DT450HN2	250	NYLON	120	125	M12	42

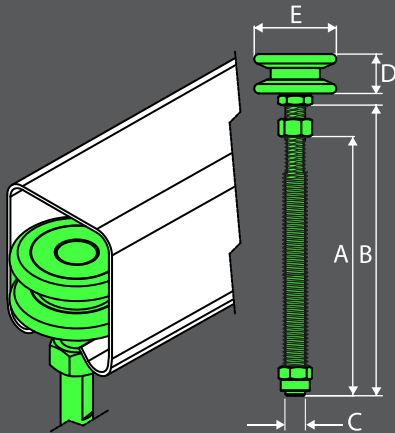
Only use in pairs.



4 WHEEL HANGER

CODE	KG RATING	WHEEL	A	B	C	D
DT120HS4	120	STEEL	85	95	3/8"	27
DT120HN4	120	NYLON	85	95	3/8"	27
DT200HS4	200	STEEL	85	90	M10	29
DT200HN4	200	NYLON	85	90	M10	29
DT450HS4	450	STEEL	138	130	M12	43
DT450HN4	450	NYLON	138	130	M12	43
DT800HS4	800	STEEL	138	130	M12	40

Only use in pairs.

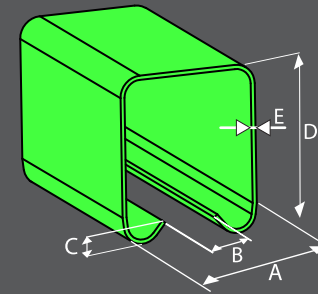


TOP GUIDE

CODE	WHEEL	A	B	C	D	E
DT450TG	STEEL	125	145	M12	24	50

Top support for doors on sliding ground track and wheels. Additional lateral support for sliding door. Works in combination with both DT450 wheels – keeps support wheels aligned inside the track.

Works with 2 or 4 wheel hangers. Only use in pairs.

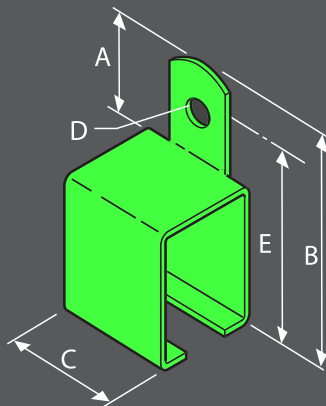


DOOR TRACK

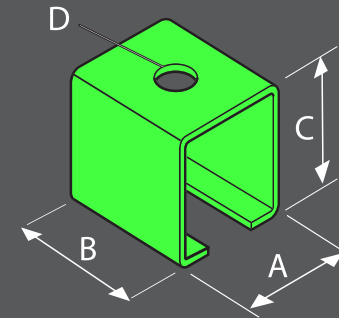
CODE	KG RATING	mm LENGTH	A	B	C	D	E
DT120-61	120	6100	31	11	6	34	1.2
DT200-61	200	6100	36	12	5	45	1.2
DT450-61	450	6100	55	20	10	66	1.5
DT800-60	800	6000	55	20	10	66	4.0

Downee sliding door track should be mounted using matching Downee brackets. Otherwise you're looking for trouble.

SIDE FIX BRACKET



CODE	KG RATING	A	B	C	D	E
DT120-1	120	28	70	42	7	57
DT200-1	200	35	90	32	12	78
DT450-1	450	43	129	50	13.5	108
DT800/15	800	41	129	65	13.5	108



OVERHEAD BRACKET

CODE	KG RATING	A	B	C	D
DT120-2	120	36	42	42	10
DT200-2	200	44	32	56	10x10
DT450/2	450	66	50	84	14x14
DT800/2S	800	72	65	85	24x13

Bolt on or weld on.